



IPSTROBE-I

Indoor IP Strobe

Overview

Capture attention and enhance emergency alerting with the PoE Indoor IP Strobe (IPSTROBE-I).

The IPSTROBE-I easily integrates with VoIP phone systems, approved 3rd party software, and includes ClockWise Campus software with purchase.

Description



SOFTWARE

ClockWise Campus software included. Compatible with approved third-party software.



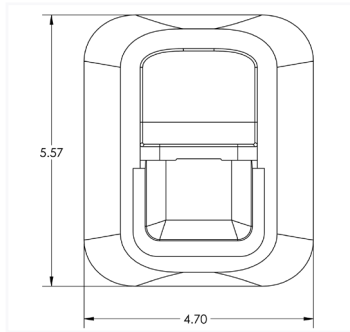
SIP INTEGRATION

SIP-enabled. Easily interfaces with VoIP / SIP phone systems.

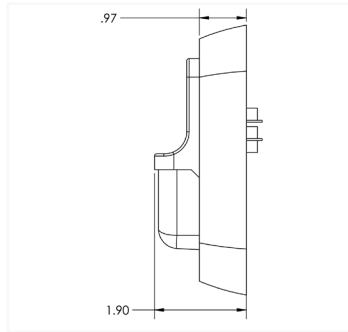
Solutions	Additional Features	Accessories & Mounting
<ul style="list-style-type: none"> • Code alerts • Emergency notification • Security monitoring 	<ul style="list-style-type: none"> • Built-in web server • Full multicast and broadcast support • Requires Cat5 or Cat6 cable • Ships with a blue lens 	<p>Color Lenses from System Sensor</p> <ul style="list-style-type: none"> • Yellow, Green, Red • Blue lens included <p>Junction Box</p> <ul style="list-style-type: none"> • Standard junction box required for mounting. • Module dimensions: 3.34" W x 1.11" H x 2.56" D

Dimensions

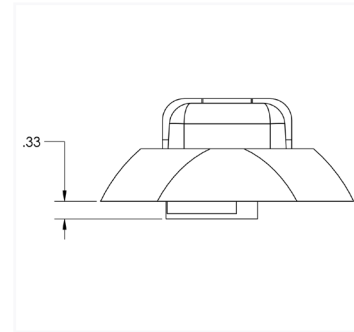
(Dimensions are subject to change)



Front



Side



Top

Specifications

Due to continual product development, specifications are subject to change without notice.

Power Input	PoE (IEEE802.3af) 15.4 W or PoE+ (IEEE802.3at) 30.0 W
Ethernet I/F	10/100 Mbps
Flash Rate	1 Flash per second
Luminous Intensity	15/75 Candela
Supported Protocols	SIP, IPv4, IPv6, 802.1X, HTTP, SLP, TFTP, NTP, SNMPV1 & SNMPV2c, DHCP, IGMP, ICMP, TCP/IP, LLDP-MED, UDP, MDNS & MDNS-SD
Humidity Range	10 to 93% Non-condensing
Operating Temperature	14° TO 122° F (-10° TO 50° C)
Dimensions	Strobe: 4.7" W x 5.57" H x 1.9" D Module: 3.34" W x 1.11" H x 2.56"D
Weight	2 lbs (0.91 kg)
Warranty	2 Year Limited

