



IPSMOD

IP Speaker Module

Overview

Convert an analog speaker or horn to an IP endpoint on the network with the PoE IP Speaker Module (IPSMOD). This SIP enabled device can broadcast voice, sound, and music to the speaker or horn, as well as act as a SIP endpoint for IP paging.

The IPSMOD easily integrates with VoIP phone systems, approved 3rd party software, and includes ClockWise Campus software with purchase.

Description



PERIPHERAL INTEGRATION

Two wire connection to speaker or horn.



OUTDOOR APPLICATIONS

Designed for outdoor or indoor applications.



SOFTWARE

ClockWise Campus software included. Compatible with approved third-party software.



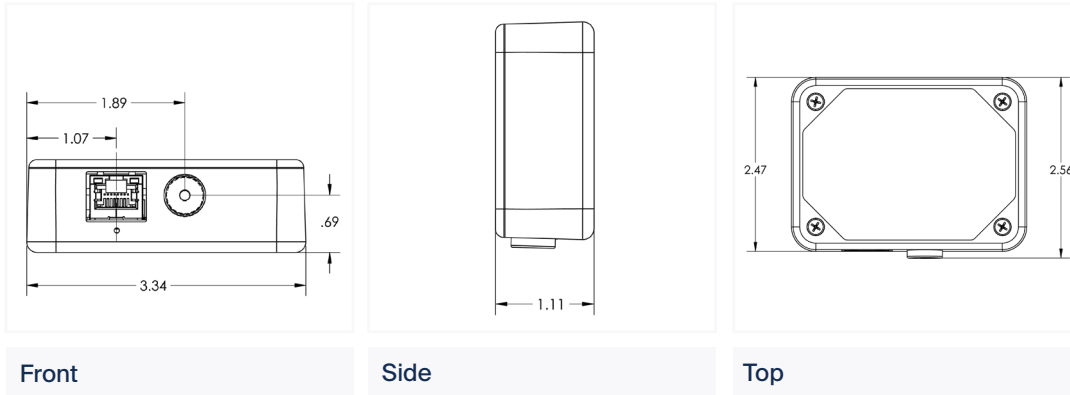
SIP INTEGRATION

SIP-enabled. Easily interfaces with VoIP / SIP phone systems.

Solutions	Additional Features	Compatible Peripherals
<ul style="list-style-type: none"> • Paging • Bell scheduling • Code alerts • Emergency notification • Music streaming 	<ul style="list-style-type: none"> • Built-in web server • Full multicast and broadcast support • Requires Cat5 or Cat6 cable • Outdoor installation requires a weather-resistant enclosure. 	<ul style="list-style-type: none"> • N/A

Dimensions

(Dimensions are subject to change)



Specifications

Due to continual product development, specifications are subject to change without notice.

Power Input	PoE (IEEE802.3af) 15.4 W or PoE+ (IEEE802.3at) 30.0 W
Ethernet I/F	10/100 Mbps
Audio Power	Supports an 8-ohm Speaker at 8 W / 16 W
Audio Payload Types	G711, A-law and μ -law
Average Sensitivity	104dB, 1W / 1 M
Supported Protocols	SIP, IPv4, IPv6, 802.1X, HTTP, SLP, TFTP, NTP, SNMPV1 & SNMPV2c, DHCP, IGMP, ICMP, TCP/IP, LLDP-MED, UDP, MDNS & MDNS-SD
Plastic Case Molding	Flame Retardant and Ignition Resistant
Board Protection	Conformal-Coated
Operating Temperature	14° TO 122° F (-10° TO 50° C)
Dimensions	3.34" W x 1.11" H x 2.56" D
Weight	3.4 oz (96 g)
Warranty	2 Year Limited

