

IPSCM

Square Ceiling Tile IP Speaker

Overview

Designed as a drop-replacement for a standard 2' x 2' ceiling tile, the PoE Square Ceiling IP Speaker (IPSCM) easily integrates with VoIP phone systems (SIP-enabled) to broadcast announcements in offices, hallways, classrooms, or any standard-sized room with a drop ceiling.

The IPSCM also integrates with approved 3rd party software and includes ClockWise Campus software with purchase.

Description



AUDIO

8" high-efficiency speaker.
Audible up to 10ft radius (standard 10ft ceiling).



MICROPHONE

Hands-free two-way intercom.



PERIPHERAL INTEGRATION

Connect a call button.



SOFTWARE

ClockWise Campus software included.
Compatible with approved third-party software.



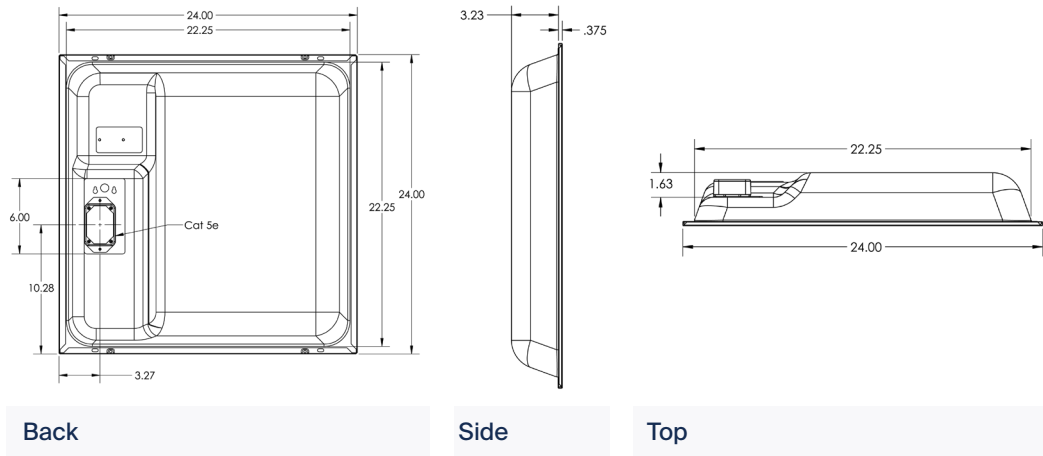
SIP INTEGRATION

SIP-enabled.
Easily interfaces with VoIP / SIP phone systems.

Solutions	Additional Features	Compatible Peripherals
<ul style="list-style-type: none"> • Paging • Intercom • Bell scheduling • Code alerts • Emergency notification • Sound Masking • Music streaming 	<ul style="list-style-type: none"> • Built-in web server • Full multicast and broadcast support • Requires Cat5 or Cat6 cable 	<p>Call Button Kit with Mic</p> <ul style="list-style-type: none"> • BTN-KIT-MIC-ND

Dimensions

(Dimensions are subject to change)



Specifications

Due to continual product development, specifications are subject to change without notice.

Power Input	PoE (IEEE802.3af) 15.4 W or PoE+ (IEEE802.3at) 30.0 W
Ethernet I/F	10/100 Mbps
Audio Power	8 W / 16 W
Frequency Response	60 Hz - 17 kHz
Audio Payload Types	G711, A-law and μ -law
Average Sensitivity	95dB, 1W / 1 M
Supported Protocols	SIP, IPv4, IPv6, 802.1X, HTTP, SLP, TFTP, NTP, SNMPV1 & SNMPV2c, DHCP, IGMP, ICMP, TCP/IP, LLDP-MED, UDP, MDNS & MDNS-SD
General Purpose Interface	2 GPI: 1 via RJ-11, 1 via Cable Harness
Operating Temperature	14° TO 122° F (-10° TO 50° C)
Dimensions	24" W x 24" H x 3.23" D
Weight	6.5 lbs (2.95 kg)
Warranty	2 Year Limited

