



BTN-KIT-MIC-ND

Call Button Kit with Microphone

Overview

Enable two-way communication with the push of a button by connecting the Call Button Kit with Microphone (BTN-KIT-MIC-ND) to a compatible IP device.

When connected to a compatible IP device, the BTN-KIT-MIC-ND easily integrates with VoIP phone systems, approved 3rd party software, and includes ClockWise Campus software with purchase.

Description



AUDIO FUNCTIONALITY

Intercom, page, or all-call. Trigger pre-programmed text, or privacy mode.



MICROPHONE

Hands-free two-way intercom.



DUAL COMMANDS

Programmable button modes push/release or push/hold accommodate up to two extensions or phone numbers.



SIP INTEGRATION

SIP-enabled. Dials a preset phone number to play a pre-recorded message.



NOTIFICATION

Trigger alerts that activate other devices, such as a strobe or electronic lock.



SOFTWARE

ClockWise Campus software included. Compatible with approved third-party software.



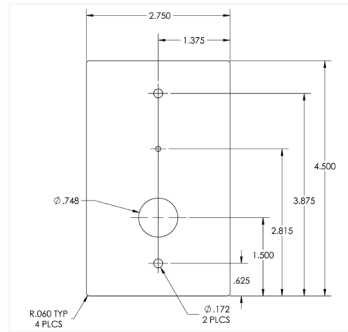
LED BUTTON

Illuminates when microphone is active.

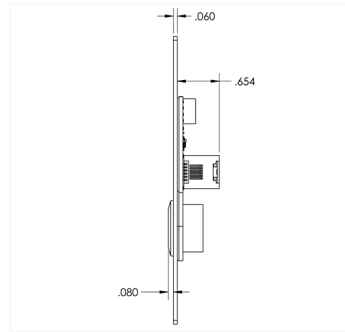
| Solutions | Additional Features | Compatible IP Devices | | Accessories |
|--|---|--|--|--|
| <ul style="list-style-type: none"> Paging Intercom Emergency notification | <ul style="list-style-type: none"> Built-in web server | Round Ceiling IP Speaker <ul style="list-style-type: none"> IPSCM-RMe | IP Speaker with HD Display <ul style="list-style-type: none"> IPSWDHD-MW | <ul style="list-style-type: none"> Standard junction box required for mounting. Requires RJ25 cable (6P6C) |
| | | Square Ceiling Tile IP Speaker <ul style="list-style-type: none"> IPSCM | Double-Sided IP Display <ul style="list-style-type: none"> IPCDS-RWB-U | |
| | | Surface/Flush Mount IP Speaker <ul style="list-style-type: none"> IPSW-SM / FM | IP Speaker with Display <ul style="list-style-type: none"> IPSWD-RWB | |
| | | HD IP Display <ul style="list-style-type: none"> IPCSDH-MB | Small IP Display <ul style="list-style-type: none"> IPCSS-RWB / MB | |
| | | | Large IP Display <ul style="list-style-type: none"> IPCSL-RWB | |

Dimensions

(Dimensions are subject to change)



Front



Side

Specifications

Due to continual product development, specifications are subject to change without notice.

| | |
|----------------------------|----------------------------------|
| Faceplate Material | 16-gauge brushed stainless steel |
| Electrical Life | 200,000 cycles |
| Power Connection | RJ25 cable (6P6C) |
| Switch Function | Momentary ON |
| Operating Temperature | -4° TO 131° F (-20° TO 50° C) |
| Circuit | SPST |
| Max Distance from Endpoint | Up to 25ft |
| Installation Depth | 1" (25.4 mm) |
| Dimensions | 2.75" W x 4.5" H |
| Weight | 4 oz |
| Warranty | 2 Year Limited |

